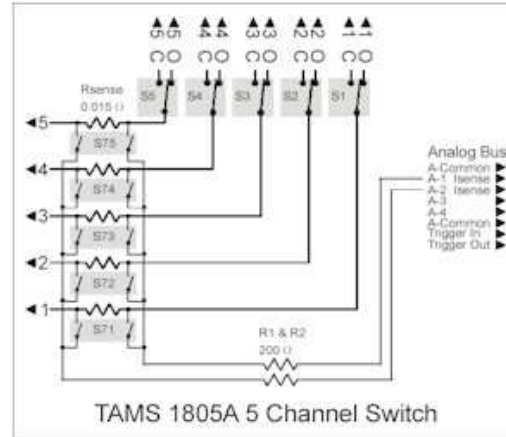




1805A USB Controlled 5 Channel High Current Switch

The TAMS 1805A consists of 5 SPDT relays with all connections brought to terminals for maximum flexibility. Switch functions are easily controlled through the programmable graphical user interface.



[Enlarge]

System Requirements:

- Windows 2000 or Windows XP
- Microsoft Internet Explorer version 5.01 or later.
- Microsoft .NET Framework version 1.1
- National Instruments VISA library or Agilent Technologies IO Libraries Version M or later.

USB versions: 2.0 and 1.1 Full speed

USB connection: USB "B" type connector

USB current consumption: 150mA maximum

Switched voltage and current:

100VAC maximum

30VDC maximum

8 Amps maximum

Switched power:

800VA max AC

240W max DC

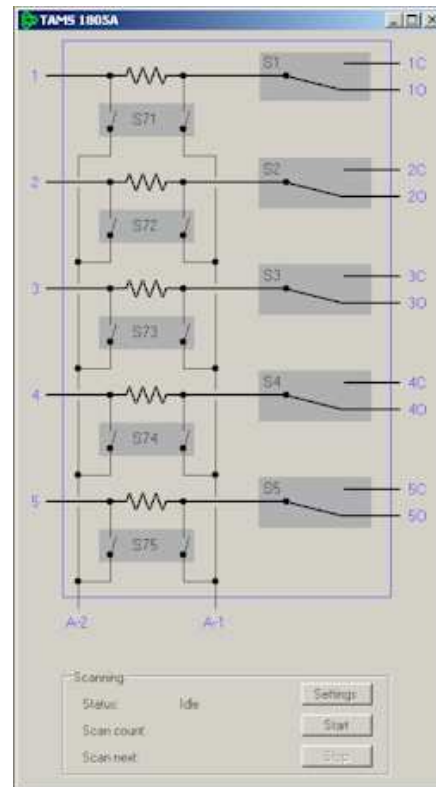
Current measurement: Rsense = 0.015 Ohms, +/- 1 %

Total Contact Resistance: 60mOhms initial, typical

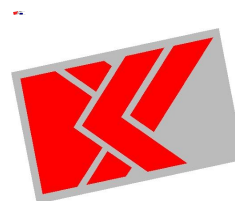
Switching speed, scan list: 50 steps per second, maximum

Screw terminal wire: AWG 28 – 16

Screw terminal torque: 0.22 – 0.25 Nm



[Enlarge]



BOURBAKY

BP36 – 13 rue des Alpes
 07302 Tournon-sur-Rhône Cedex - France
 Tel : +33 (0)4 75 07 81 20
 Fax : +33 (0)4 75 07 29 74
 web : www.bourbaky.com
 email : info@bourbaky.com

SC SARL à capital variable
 RC: Annonay 314 816 463 – FR 74 314 816 463